

EdgePublisher – Getting started

EdgePublisher – Getting Started Guide.

Edge Publisher is a unique, easy-to-use application for checking, updating and publishing Solid Edge files. With *Edge Publisher* you will immediately start saving hours of work as time consuming and tedious routines can be automated into single click operations.

The Temp license provided you allows for the 2 major disciplines in EdgePublisher:

- **Update & Publish Solid Edge Draftings** – with automatic update of “Out-Of-Date” model links removing “Fat Bracket” corners around your drawing views.
- **Unite Assembly** – Shrink Wrap any Solid Edge assembly into one single body part. Overcoming the typical problems with “Non-Manifold Bodies”, enabling safe distribution of your design data.

Activities:

After installation the following activities are provided as standard.

You can copy, modify and create as many activities as you want.

Activities can be combined into Serial or Parallel activities performing multiple jobs in one key stroke.

These activities are the basis for the extremely powerful EdgePublisher Workflows – the real power of document publishing.

IMPORTANT:

When running activities, EdgePublisher requires full access to all involved models & draftings. Make sure, that these are not locked by other users.

Check Draftings – Check which draftings need to be updated.

Update Draftings & Links Automatic – The most powerful activity handling drafting update automatically.

Update Draftings & Links – Forcing selected Draftings to be checked and updated.

Print Draftings ISO – Printing A4, A3 etc. formatted draftings with pre mapped printing formats.

Print Draftings ANSI – Printing A, B etc. formatted draftings with pre mapped printing formats.

Create PDF – Standard activity creating PDF files of selected draftings, placing them in a separate folder relative to the drafting.

Create Save As Flat – Standard activity for saving all PSM files As Flat DXF using the current “Flatten” information in the part.

Unite Assembly Standard – Create Shrink Wrapped version of your assembly into a true “Single Body Part”. The entire assembly is converted – no matter what was visible during the last save. Also configurations, adjustable parts and weldments are NOT handled in Standard mode.

Unite Assembly Converted Visible – Create Shrink Wrapped version of all parts visible from a number of predefined view directions.

Unite Assembly Converted Configurations – Create Shrink Wrapped version of all parts included in a specific Display Configuration.

Preparation before Printing:

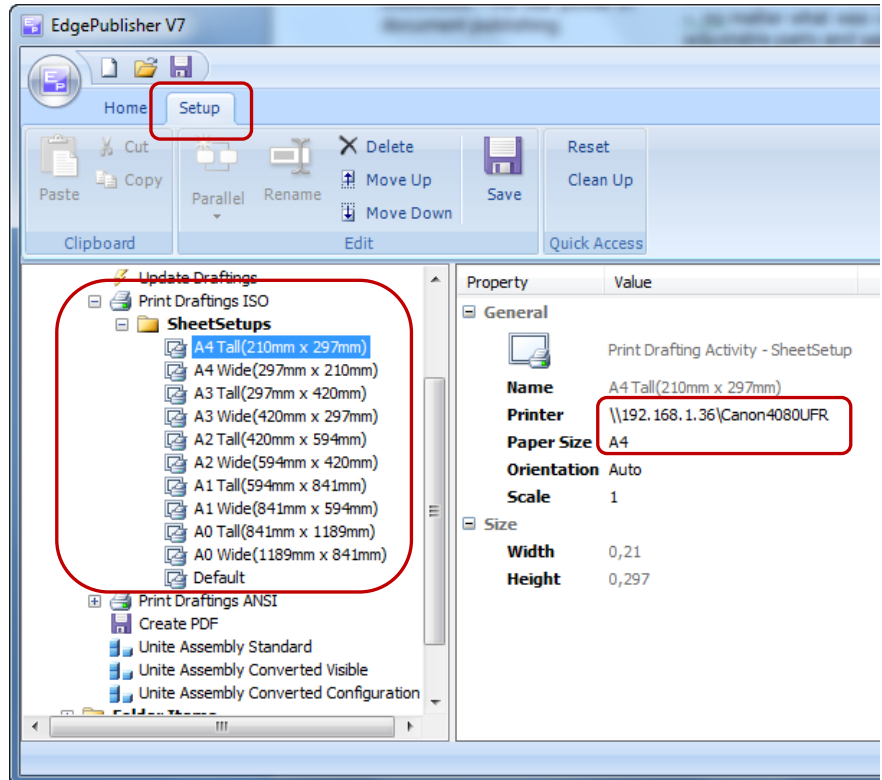
You need to map all the “sheet sizes” to your specific printer / output format in the desired ISO or ANSI Print Activity.

Normally larger sheet formats should go to your plotter.

The Print Activity can later be copied to create a “Draft Quality” activity where all draftings go to a laser printer – no matter sheet size.

Select the Print Activity and change your printer settings.

You can Rename the activity as you wish.



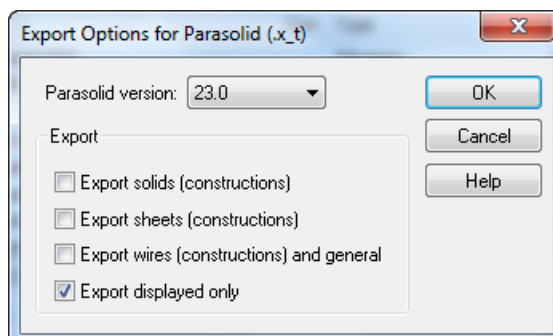
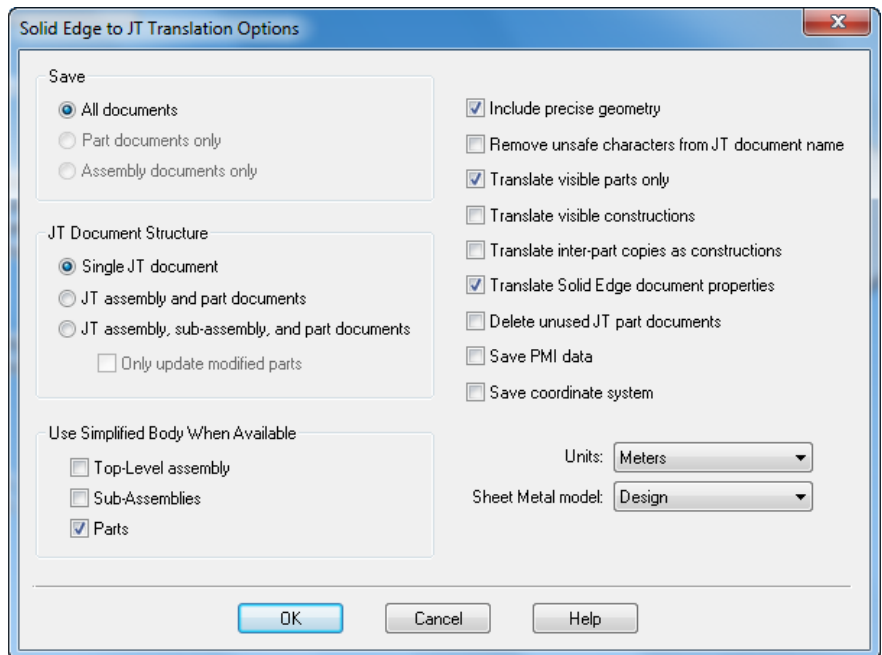
Preparation before using Unite Assembly:

The “Unite Assembly Standard” requires no special settings.

The “Unite Assembly Converted” requires saving as “JT” and “ParaSolid” settings as specified.

Open any assembly and perform a “Save As / JT” to specify the settings shown to the right.

Do the same for “Save As / ParaSolid”.



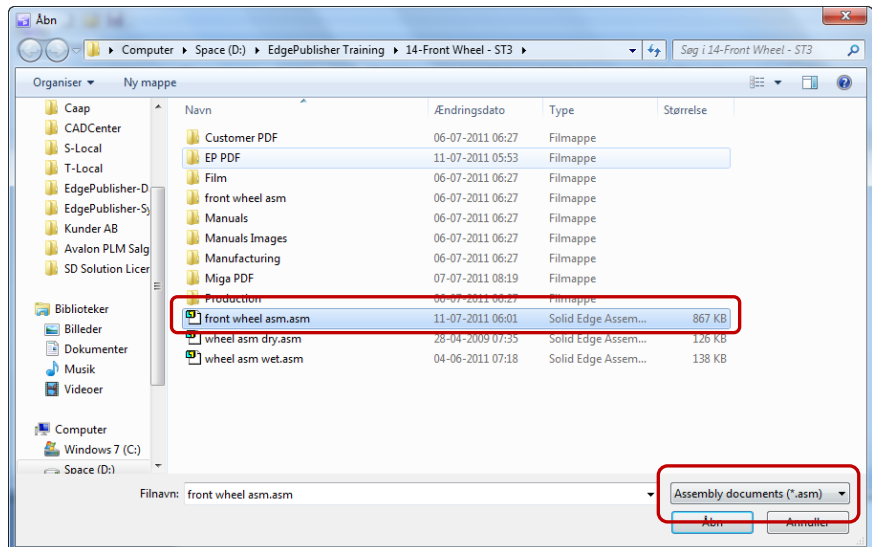
Open your Assembly: (In Edgepublisher)

Press the yellow “Open” button.

Select “*.Asm” as input format and select your assembly.

First time – please select a small assembly to see how things are working.

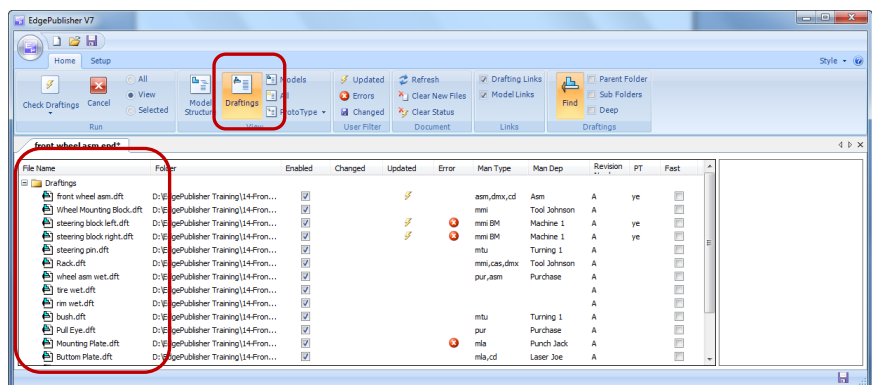
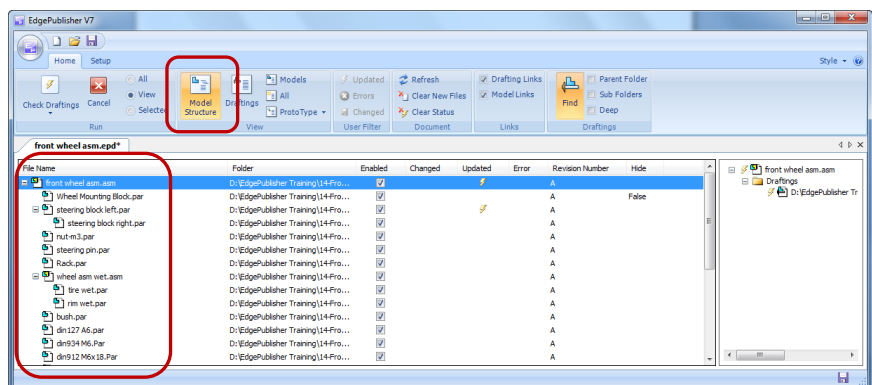
First time each assembly is opened, it will be slow. EdgePublisher will search for all associated Draftings. Subsequent open will be very fast as EdgePublisher keeps track of all links and draftings.



Main view:

You can shift between “Structure” and “Draftings” to see either the entire Assembly Structure or the Draftings.

You can add Model or Drafting Properties to Draftings & Model (the third) view enabling you to change properties directly from EdgePublisher. Very handy for changing “Revision Number” after Drafting Updates.



Ready to go:

You can now run your activities:

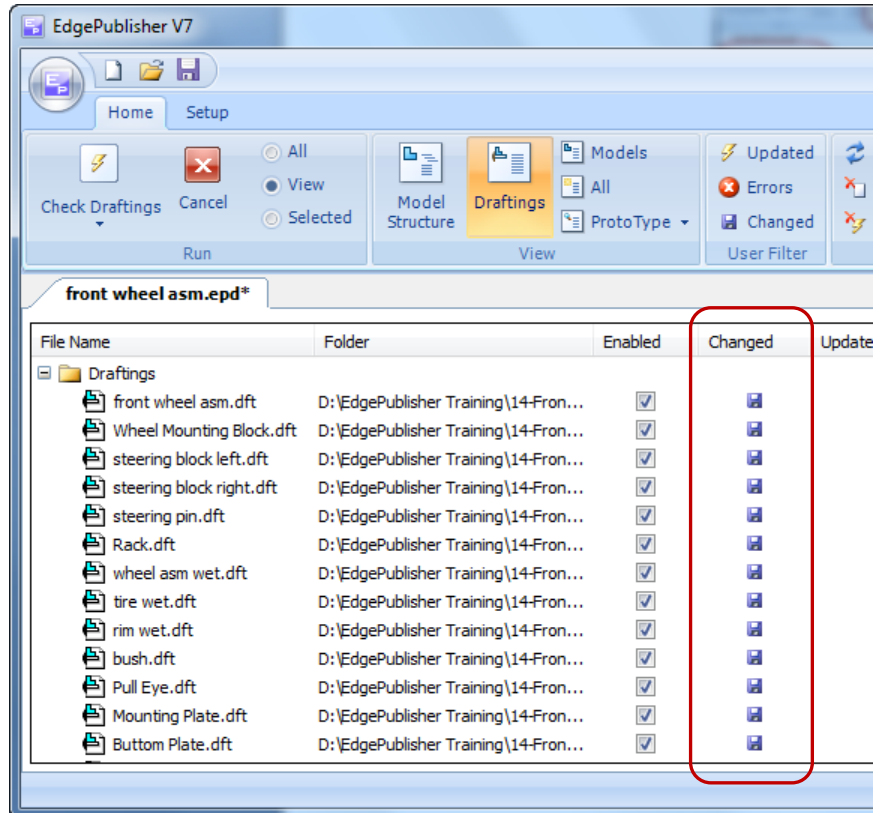
- Update Draftings
- Create PDF
- Create Save As Flat
- Print Draftings
- Unite Assemblies
- Etc ...

Update Draftings & Links:

First time you open an assembly, you will see that all draft are "Changed". This is because EdgePublisher keeps track of changes when you modify your models and it does not know whether draftings have been changed.

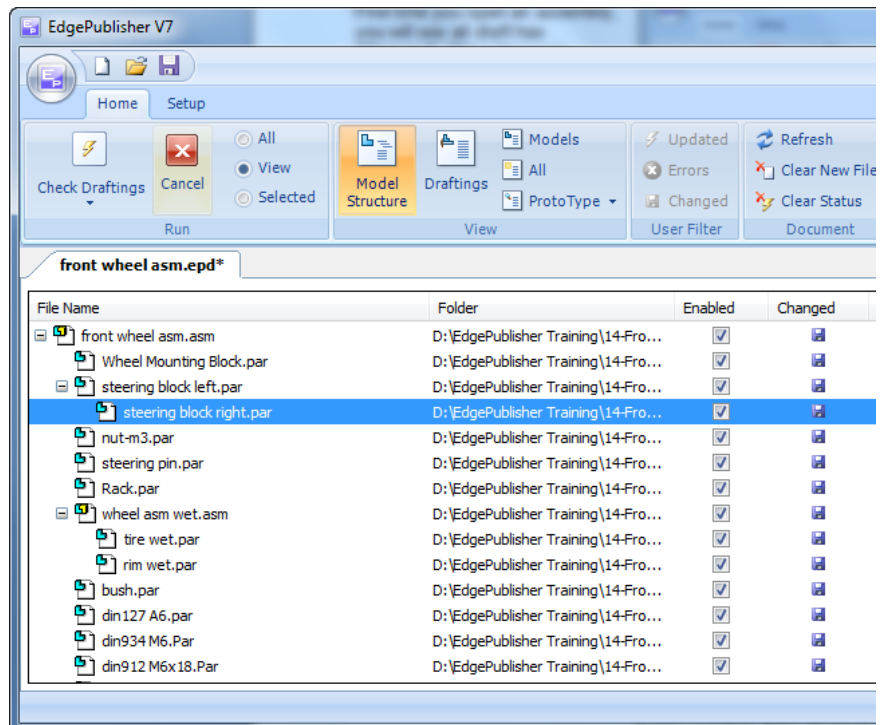
EdgePublisher uses this information to determine which models and draftings are affected in order to update ONLY relevant drawings. A real time-saver.

First time you run the "Update Draftings & Links Automatic", EdgePublisher will update ALL the draftings to make sure everything is "Up-To-Date".



Modify your model:

Go to Structure, Double-click your model and it activates in Solid Edge, modify, save & close the model.



Update Draftings:

Go to Draftings, run the activity “Update Draftings & Links Automatic”.

Press the “Updated” filter to see the updated draftings only. Useful for printing & creating PDF files – handling ONLY modified draftings.

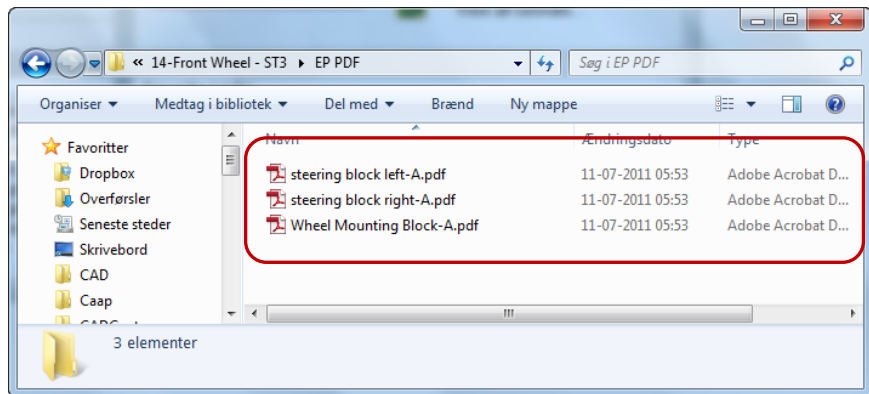


Create PDF:

Run the “Create PDF” activity, and you will get the result to the right.

Rules can be set for specifying which Draftings / Sheets to include or exclude in this process.

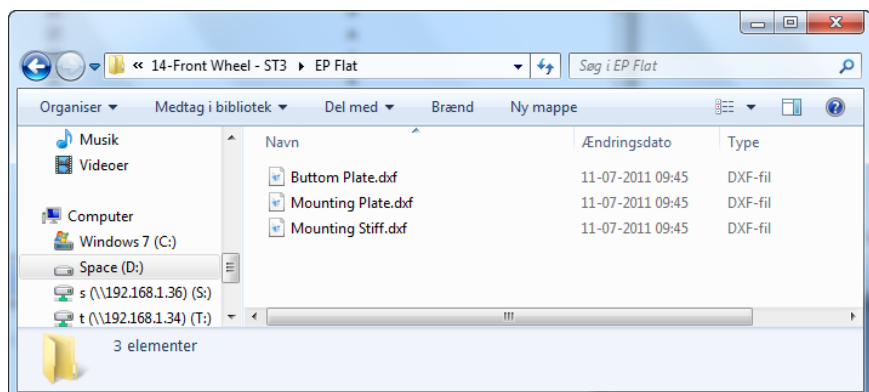
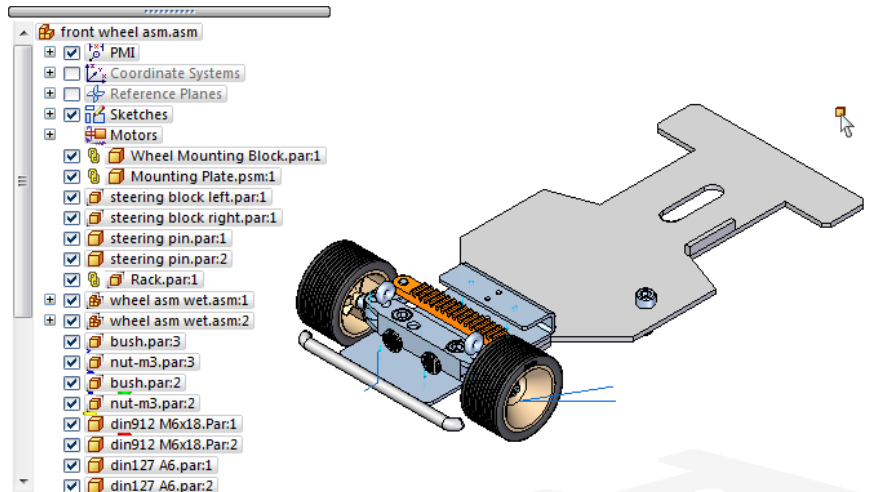
An important part of running EdgePublisher Workflows.



Create Save As Flat:

Open your Assembly, run the “Create Save As Flat” activity, and you will get the result to the right. (DXF files for all sheet metal parts)

Rules can be set to specify which Sheet Metal models to include or exclude in this process.



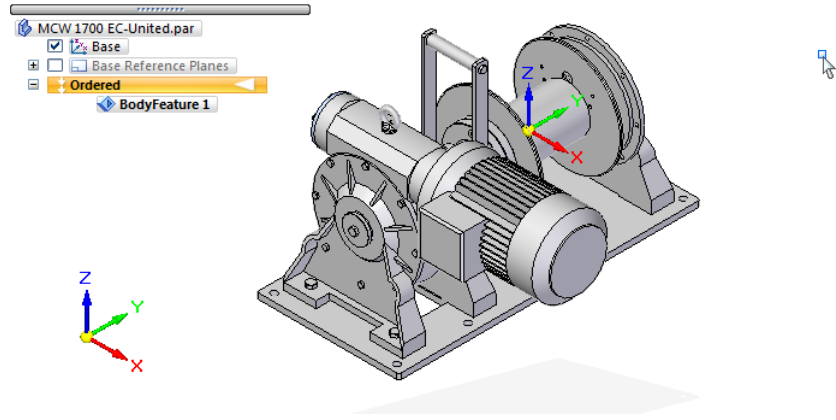
Unite Assembly Standard:

Open you assembly, start with a small one.

Run the “Unite Assembly Standard” to create “One Single Body Part”.

You see the complete assembly with all details – as designed.

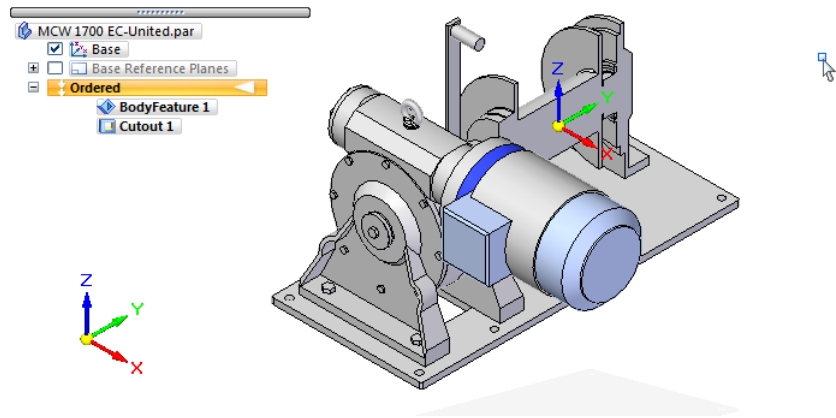
No other tool can do this !!!



Unite Assembly Converted Visible:

Run the “Unite Assembly Converted Visible”.

You see that Simplified Parts are used – reducing visible details dramatically. Also you only see parts visible from the specified view directions. Very powerful for removing “Internal” parts..

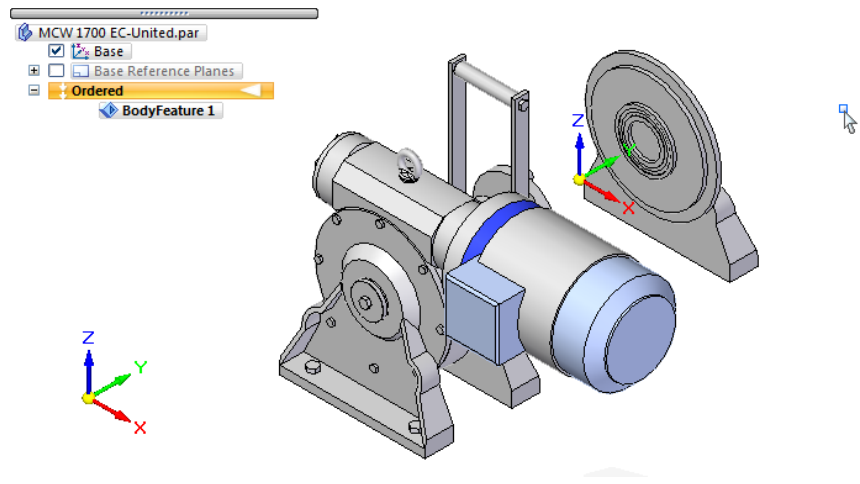


Unite Assembly Converted Configuration:

Run the “Unite Assembly Converted Configuration”.

Only parts included in a configuration called “Flex” are included in the final part.

Another “Fixed” configuration can be specified for critical “Not-to move” parts for placement the final part.



Resume:

EdgePublisher can do a lot more for you. As mentioned before, the most important tools are the Workflows.

Workflows are the automated processes taking care of publishing your design data to customers, manufacturing departments, suppliers and updating images used in technical documentation and as previews in ERP systems.

Experience from existing customer base indicates, that time used for managing design documents is reduced by 75 to 90%.

We have seen huge design, where draftings have never been fully “up-to-date” until the installation of EdgePublisher. You will be surprised to see what EdgePublisher can do for you – the time saver of all times.